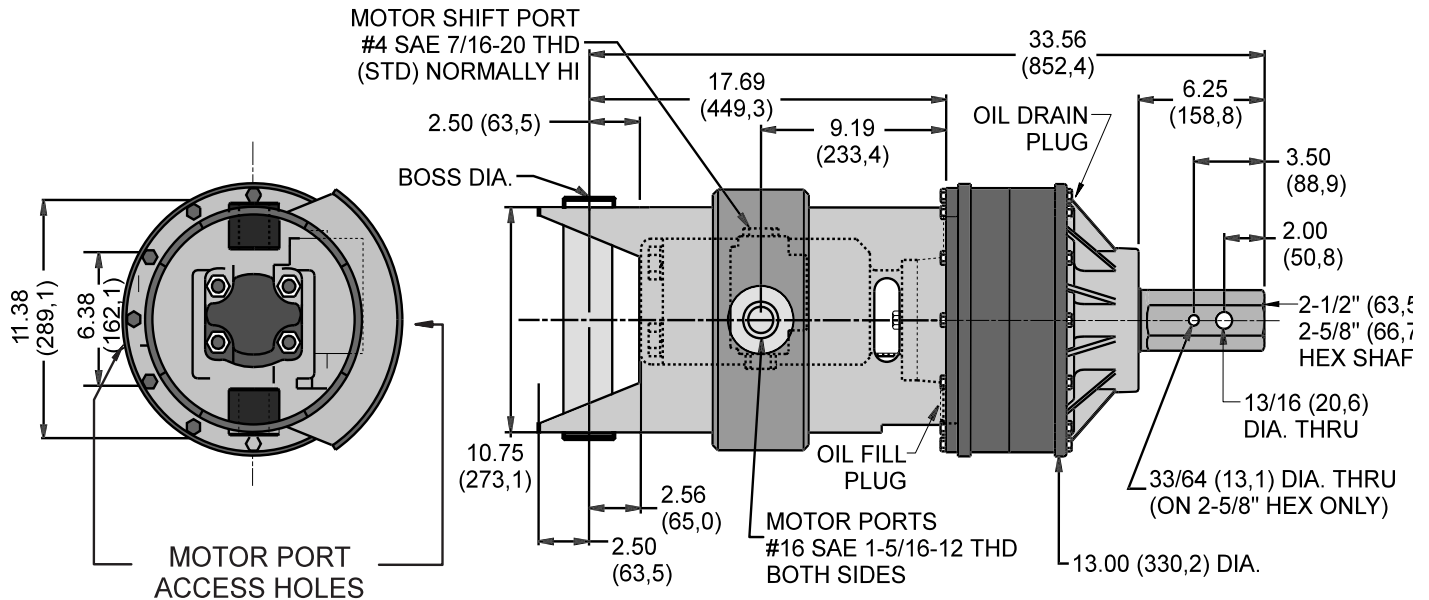


# Eskridge 78 Series Show Special



## Eskridge 78

\$4,795

12,000 Ft/Lbs – 9,000 Ft/Lbs

48:1 Gear Ratio,

35:1 Gear Ratio 2 speed Commercial Gear Motor

Output Shaft Options: 2-1/2" Hex or 2-5/8" Hex

## Eskridge 78

\$7,995

12,000 Ft/Lbs 35:1 Gear Ratio

Linde High Pressure 2-speed Piston Motor

Output Shaft Options: 2-1/2" Hex or 2-5/8" Hex

**DrillingWorld - 1-800-331-9988**

**www.drillingworld.com**