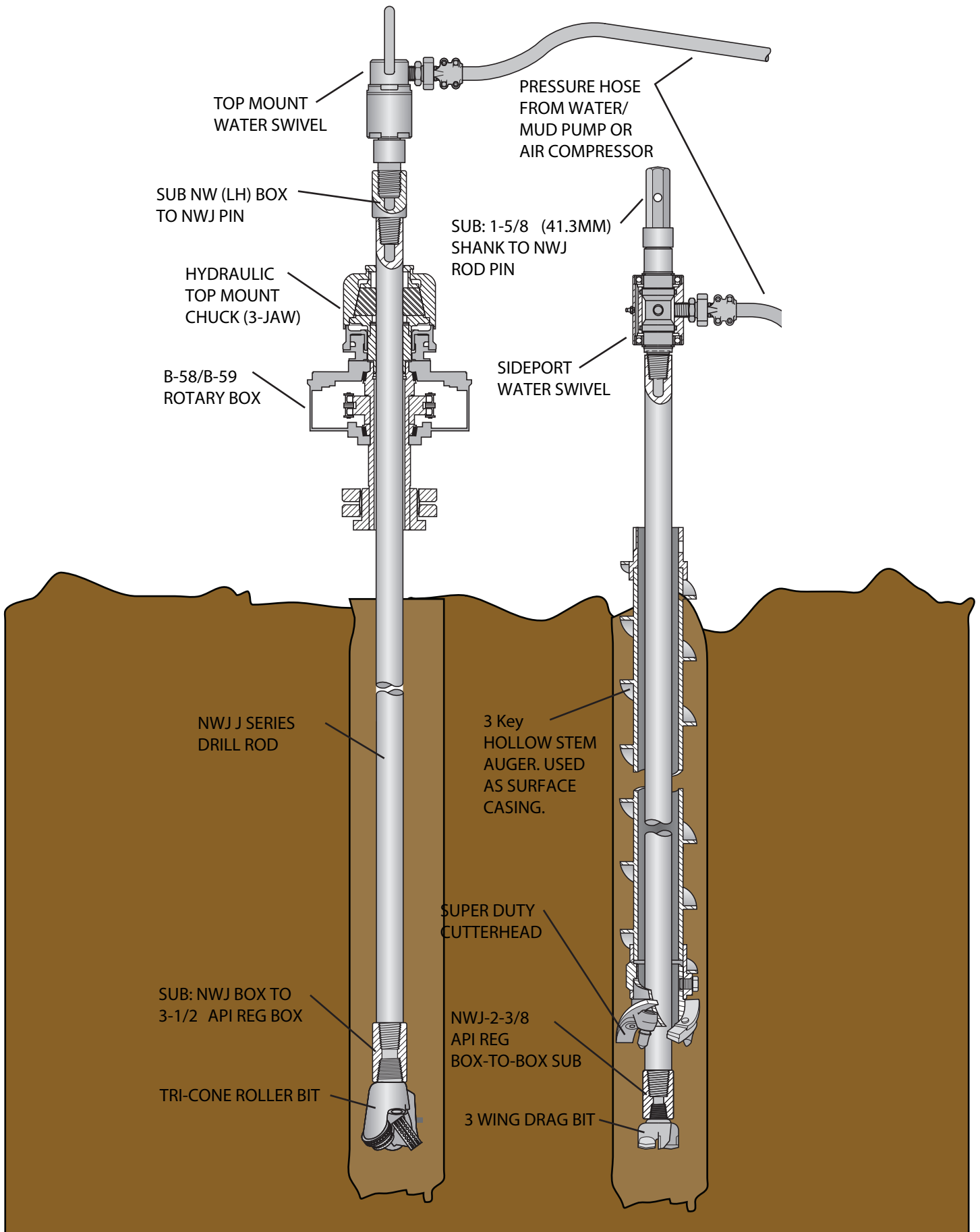
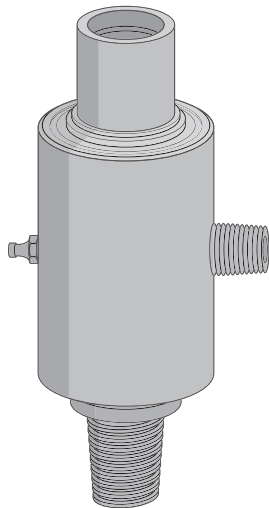


# Swivels



# Sideport Water Swivel

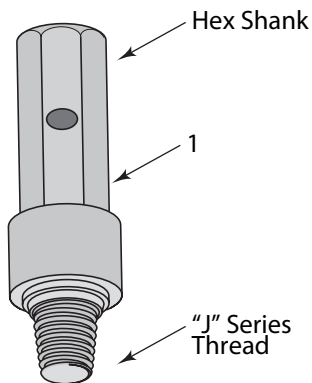


Sideport swivels are designed to inject fluid into the drill rod string on drill rigs with a solid spindle (where the use of a top mount swivel is not possible) for mud/air rotary applications.

They are also useful when working below the spindle on hollow spindle rigs as when washing down through hollow stem augers when it is not desirable or feasible to remove the universal auger coupling. Swivels are run rod box up, rod pin down. Order hex adapter separately.

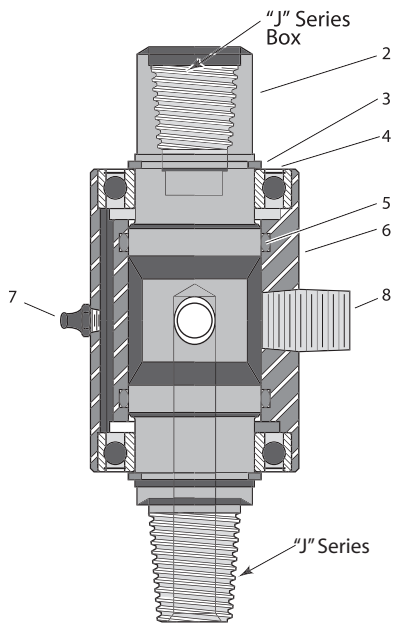
## Sideport Water Swivel Assembly

Description	Part No.	Lb/Kg
3/4" (19mm) NPT, A Rod	003408	10 (4.5)
3/4" (19mm) NPT, AW Rod	004607	10 (4.5)
3/4. (19mm) NPT, AWJ Rod	005466	10 (4.5)
3/4. (19mm) NPT, EW Rod	004810	10 (4.5)
1-1/4. (32mm) NPT, BW Rod	004862	17 (7.7)
1-1/4. (32mm) NPT, NW Rod	004864	32 (14.5)
1-1/4. (32mm) NPT, NWJ Rod	005468	31 (14.1)



## Component Parts

Ref.	Description	Part No.	Lb/Kg
1	Adapter 1-1/8" (29mm) Hex Shank To AWJ Rod Pin	180078-01	2 (.9)
1	Adapter 1-1/8" (29mm) Hex To Shank EW Rod Pin	004872	1 (1.4)
1	Adapter 1-1/8" (29mm) Hex To NWJ Pin	180078-02	4 (1.8)
1	Adapter 1-5/8" (41mm) Hex To Shank A Rod Pin	180080-03	8 (3.6)
1	Adapter 1-5/8" (41mm) Hex To Shank AW Rod Pin	180080-02	8 (3.6)
1	Adapter 1-5/8" (41mm) Hex To Shank AWJ Rod Pin	180080-01	8 (3.6)
1	Adapter 1-5/8" (41mm) Hex To Shank EW Rod Pin	004879	8 (3.6)
1	Adapter 1-5/8" (41mm) Hex To NWJ Pin	180080-05	10 (4.5)
1	Adapter 2" (51mm) Hex To Shank AW Rod Pin	004906	10 (4.5)
1	Adapter 2" (51mm) Hex To Shank AWJ Rod Pin	180081-01	8 (3.6)
1	Adapter 2" (51mm) Hex To Shank EW Rod Pin	004904	10 (4.5)
1	Adapter 2" (51mm) Hex To NWJ Pin	180081-02	12 (5.4)
2	AW Rod Shaft	004966	5 (2.3)
2	AWJ Rod Shaft	005467	5 (2.3)
2	EW Rod Shaft	004986	5 (2.3)
3	Ring, Retaining (2 Req'd)	3222-0177	*
4	Bearing, Ball (2 Req'd)	3656-0109	*
5	O-Ring (2 Req'd)	3538-0329	*
6	Housing	003409	*
7	Fitting, Grease	3129-0001	*
8	Nipple, Pipe	3033-0019	*

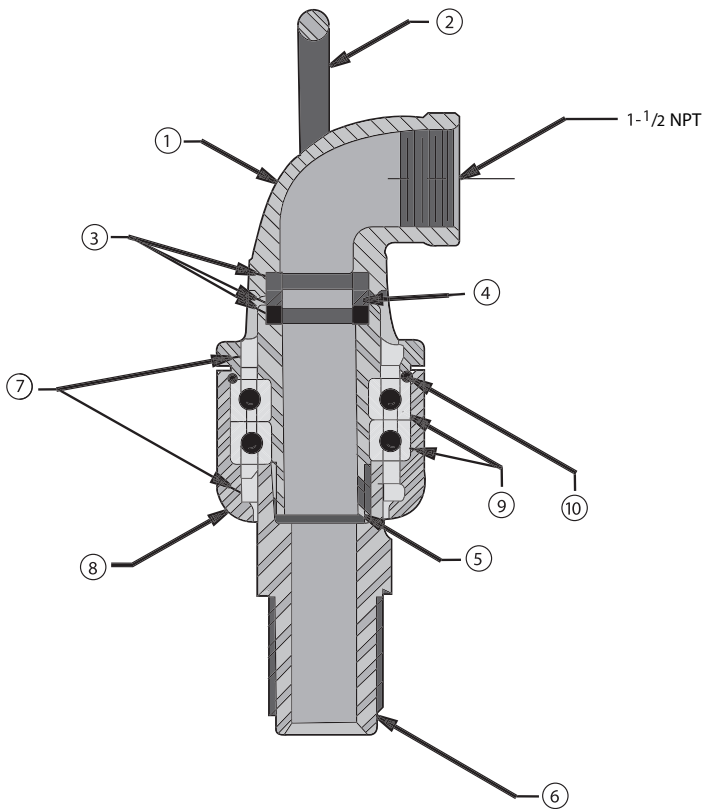


# Top Mount Water Swivel

## 1-1/2" (38mm) Top Water Swivel

Heavy-duty bail type swivel with a 1-1/2" (38mm) water, mud or air course for use on hollow spindle drill rigs in conjunction with a drill rod chuck when performing water, mud or air rotary operations.

Dynamic hoisting capacity is 5,000 lbs (2,268 kg) maximum, rotating speed is 600 rpm (62.8 rad/s) maximum.



Description	Part No.	Lb/Kg
AW Rod Pin	002582	22 (10)
AWJ Rod Pin	64042-15	16 (7.3)
BW Rod Pin	002583	22 (10)
NW Rod Pin	64042-03	22 (10)
LH Thread, NW Rod Pin LH Thread	64042-01	22 (10)
NWJ Rod Pin	64042-13	16 (7.3)

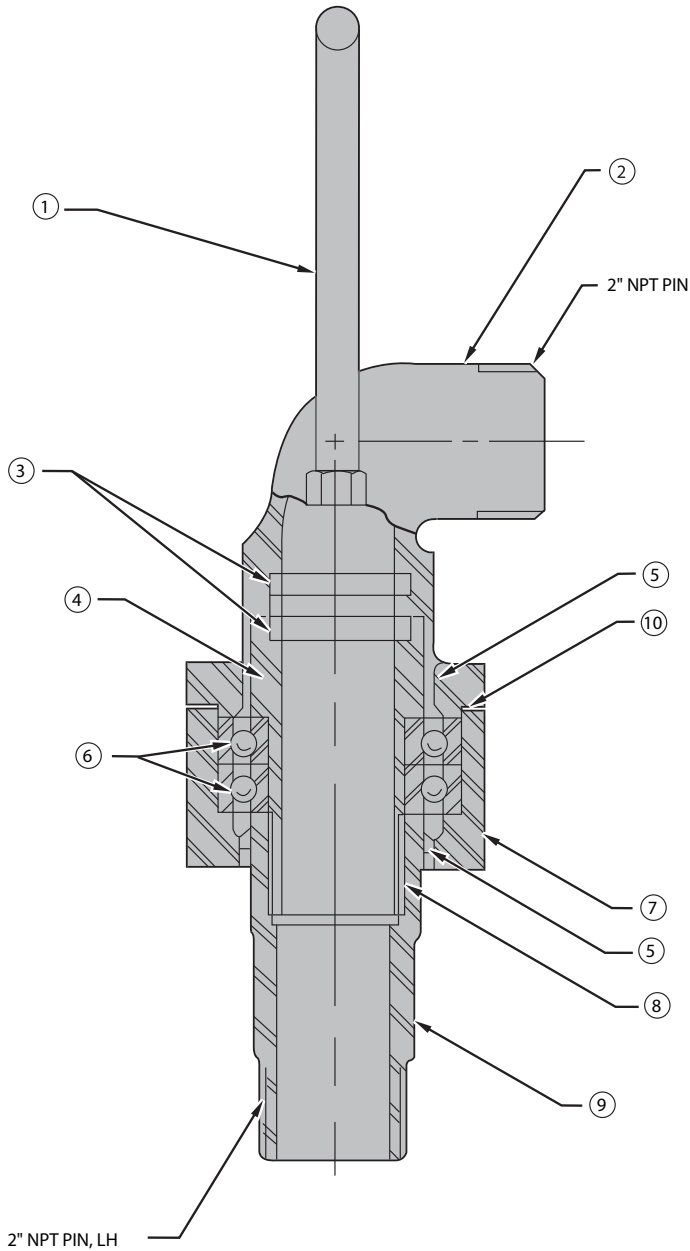
### Component Parts

Ref.	Description	Part No.	Lb/Kg
1	Gooseneck	005570	6 (2.7)
2	Bail	005572	2 (.9)
3	Packing Set w/Wear Ring	180162-01	*
4	Bushing, Wear	005576	*
5	Spindle, Bearing	005578	2 (.9)
6	AW Rod Adapter	005765	4 (1.8)
6	AWJ Rod Adapter	180359	4 (1.8)
6	BW Rod Adapter	005766	4 (1.8)
6	NW Rod Adapter	005767	4 (1.8)
6	NW Rod LH Thread Adapter	180164	4 (1.8)
6	NWJ Rod Adapter	180355	4 (1.8)
7	Seal, Housing (Set of 2)	005582	*
8	Bearing Housing	005584	*
9	Bearing (Set of 2)	005586	3 (1.4)
10	Bearing Retainer	005761	*

# Top Mount & High Speed Water Swivel

## 2" (51mm) Swivel Assembly: Water/Mud

Heavy-duty bail type swivel with a 2" (51mm) water, mud or air course for use on hollow spindle drill rigs in conjunction with a drill rod chuck when performing water, mud or air rotary operations. Dynamic hoisting capacity is 10,000 lbs (4,536 kg) maximum, rotating speed is 300 rpm (31.4 rad/s) maximum.



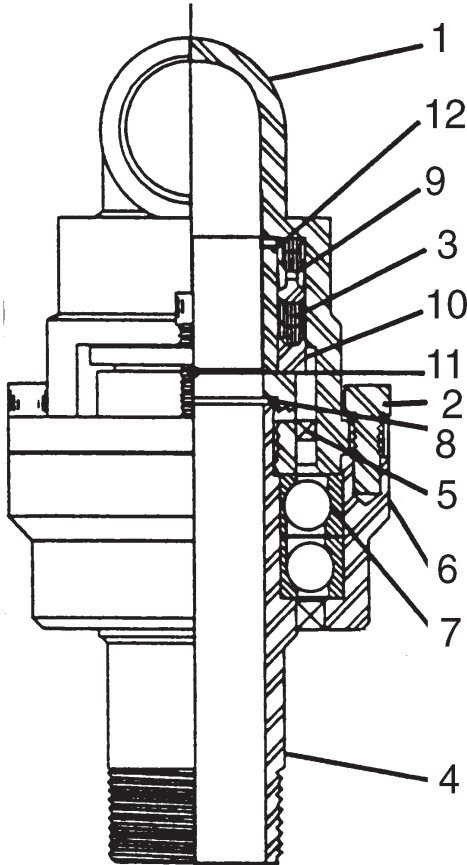
Description	Part No.	Lb/Kg
LH Thread 2" (51mm) NPT	64042-23	39 (17.7)

### Component Parts

Ref.	Description	Part No.	Lb/Kg
1	Bail	180514	*
2	Gooseneck	180513	10 (4.5)
3	Packing Set w/Wear Ring	180162-03	*
3	VITON Packing (For Air)	180162-05	*
4	Spindle	180212	5 (2.3)
5	Seal, Housing (2 Req'd)	180214	*
5	Seal, VITON (For Air) (2 Req'd)	180214-01	*
6	Bearing (2 Req'd)	180216	1 (.5)
7	Housing, Bearing	180215	15 (6.8)
8	Seal, Spindle Thread	180218	*
9	Connection, Lower 2. NPT LH	180213	5 (2.3)
10	Retaining Wire	180217	*

# Top Mount Water Swivel

## 2-1/2" (64mm) Top Mount Water Swivel



### Specifications

**Length** .....13" (330.2mm) without bail  
**Weight** .....50 lbs. (22.7kg)  
**Top Connection**.....2-1/2" (63.5mm) NPT Female  
**Lower Connection**.....2-1/2" (63.5mm) NPT Male  
**Water Course** .....2-1/4" (57.2mm) Max.  
**Working Pressure** .....1500 psi

### Component Parts

Ref.	Description	Part No.	Lb/Kg
1	Gooseneck	180531-01	26 (11.8)
2	Stud w/Nuts	180531-02	*
3	Packing	180531-03	1 (.5)
4	Spindle Bearing (optional)	180531-04	7 (3.2)
5	Housing Seal	180531-05	*
6	Bearing Housing	180531-06	10 (4.5)
7	Bearings	180531-07	7.5 (3.4)
8	Thread Seal	180531-08	*
9	Lantern Ring	180531-09	*
10	Pkg. Adj. Gland	180531-10	2 (.9)
11	Gland Bolt w/Nut	180531-11	*
12	Wash Pipe	180531-12	5 (2.3)
	Setscrew, Wash Pipe	180531-13	*

